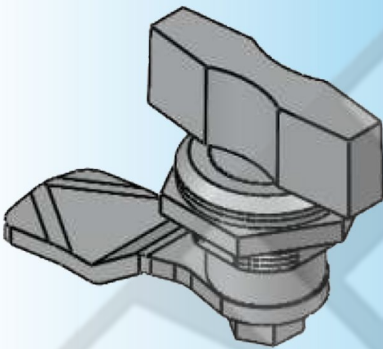


For Product Step File or 3D Model Send a Request Mail To [info@nrack.com](mailto:info@nrack.com)

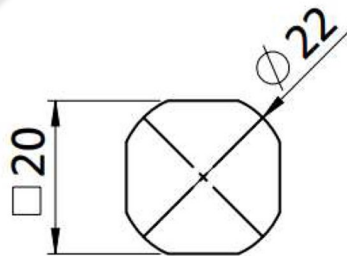
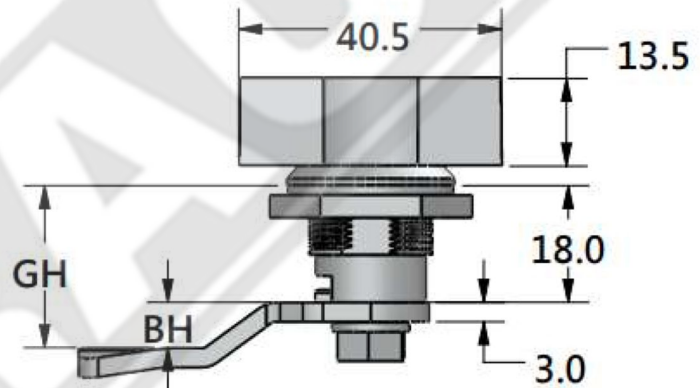
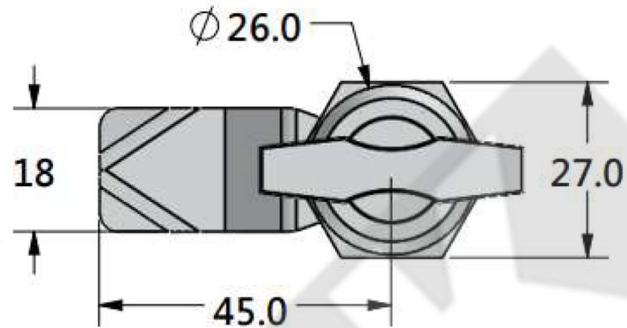
Photo View



3D Rendered View



**PL - 15**



**CUT OUT**

GRIPPING HEIGHT (GH)	BENDING HEIGHT (BH)
20	02
25	07
30	12
35	17

- Material: Zinc Die Casting, Steel-Cam.
- Finish: Chrome Plating/Black Powder